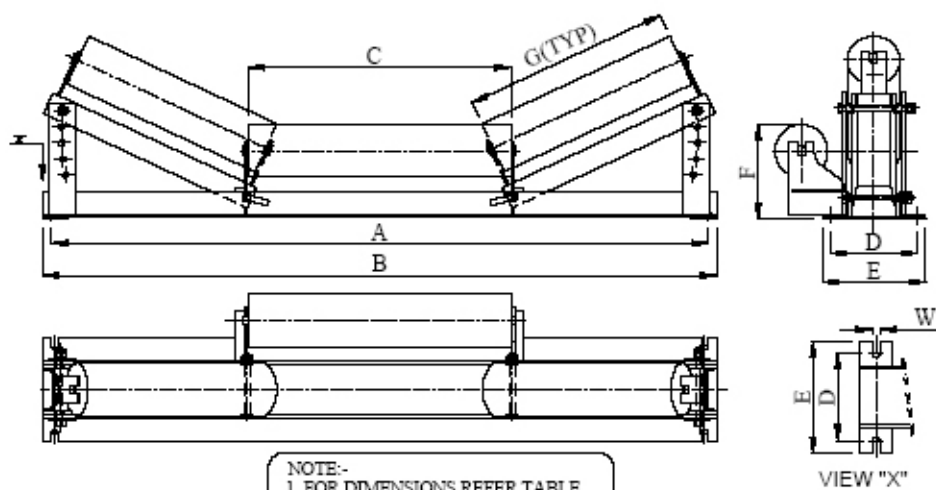


GENERAL ARRANGEMENTS OF 3 PIECE STAGGERED CARRYING TRANSITION IDLER SET - ADJUSTABLE TYPE



NOTE:-
 1. FOR DIMENSIONS REFER TABLE
 NO - 45 & 46
 2. ANGLE OF ADJUSTMENT -
 5°, 10°, 15° & 25°

DIMENSIONS FOR ADJUSTABLE THREE PIECE CARRYING IDLER SET

TABLE - 45 (T 45)

KH - SERIES

FOR IDLER DIA - $\emptyset 114.3, \emptyset 127, \emptyset 139.7, \emptyset 152.4, \emptyset 159, \emptyset 165.1$ & $\emptyset 168.3$

$Q^\circ = 5^\circ, 10^\circ, 15^\circ, 20^\circ, 25^\circ, 30^\circ, 35^\circ, 40^\circ$ & 45°

SL.NO	B.W	A	B(-)	C	D	E	F	G	W
1	500	790	855	200	200	250		300	14
2	650	940	1000	250	200	250	250 ($\emptyset 114.3$)	350	14
3	800	1090	1150	315	200	250	275 ($\emptyset 127$ & $\emptyset 139.7$)	415	14
4	1000	1290	1350	380	200	250	300 ($\emptyset 152.4, \emptyset 159$)	480	14
5	1200	1490	1560	465	200	250	($\emptyset 165.1$ & $\emptyset 168.3$)	565	18
6	1400	1690	1750	530	200	250		630	18
7	1600	1900	1950	600	200	250		700	18

TABLE - 46 (T 46)

KE - SERIES

FOR IDLER DIA - $\emptyset 152.4, \emptyset 159, \emptyset 165.1, \emptyset 168.3, \emptyset 193.7$ & $\emptyset 219.1$

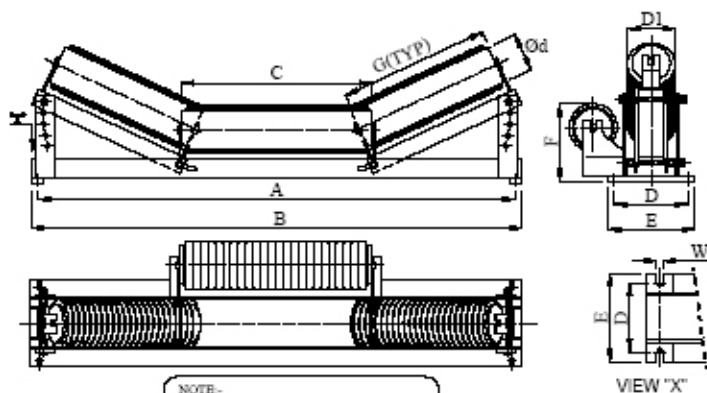
$Q^\circ = 5^\circ, 10^\circ, 15^\circ, 20^\circ, 25^\circ, 30^\circ, 35^\circ, 40^\circ$ & 45°

SL.NO	B.W	A	B	C	D	E	F	G	W
1	1200	1490	1560	465	200	250		565	18
2	1400	1690	1750	530	200	250	300 ($\emptyset 152.4$ & $\emptyset 159$)	630	18
3	1600	1900	1950	600	200	250	310 ($\emptyset 165.1$ & $\emptyset 168.3$)	700	18
4	1800	2100	2150	670	200	250	350 ($\emptyset 193.7$)	770	22
5	2000	2300	2350	740	200	250	375 ($\emptyset 219.1$)	840	22
6	2400	2700	2750	870	200	250		970	22

"Special Types and Dimensions on Request"

"All Dimensions are in mm"

GENERAL ARRANGEMENTS OF STAGGERED IMPACT TRANSITION IDLER SET



NOTE -
1. FOR DIMENSIONS REFER TABLE NO - 47 & 48
2. ANGLE OF ADJUSTMENT - 5°, 10°, 15° & 25°
3. FOR DIM "ØD1" REFER TABLE NO - 18

DIMENSIONS FOR THREE PIECE ADJUSTABLE IMPACT IDLER SET

TABLE - 47 (T 47) KH - SERIES									
FOR IDLER DIA - Ø114.3, Ø127, Ø139.7, Ø152.4, Ø159, Ø165.1 & Ø168.3									
Q° = 5°, 10°, 15°, 20°, 25°, 30°, 35°, 40° & 45°									
SL.NO	B.W	A	B(-)	C	D	E	F	G	W
1	500	790	855	200	200	250		300	14
2	650	940	1000	350	200	250	300 (Ø114.3)	250	14
3	800	1090	1150	315	200	250	325 (Ø127 & Ø139.7)	415	14
4	1000	1290	1350	380	200	250	350 (Ø152.4, Ø159)	480	14
5	1200	1490	1560	465	200	250	Ø165.1 & Ø168.3	565	18
6	1400	1690	1750	530	200	250		630	18
7	1600	1900	1950	700	250	300		600	18
TABLE - 48 (T 48) KE - SERIES									
FOR IDLER DIA - Ø152.4, Ø159, Ø165.1, Ø168.3, Ø193.7 & Ø219.1									
Q° = 5°, 10°, 15°, 20°, 25°, 30°, 35°, 40° & 45°									
SL.NO	B.W	A	B(-)	C	D	E	F	G	W
1	1200	1490	1560	565	200	250		465	18
2	1400	1690	1750	630	200	250	350 (Ø152.4 & Ø159)	530	18
3	1600	1900	1950	700	250	300	375 (Ø165.1 & Ø168.3)	600	18
4	1800	2100	2150	770	250	300	400 (Ø193.7)	670	22
5	2000	2300	2350	840	250	300		740	22
6	2400	2700	2750	970	250	300		870	22

TABLE - 18 (T 18)

STANDARD RUBBER DISC SIZE AND PATTERNS

SL.No.	d-PIPE Ø	D1-DICS (ØD x W)	REMARKS
1	63.5	Ø114 x 30	MATERIAL: NATURAL RUBBER / NITROGEN RUBBER HARDNESS: 50-60°A SPECIFIC GRAVITY - 1.2 TO 1.5
2	76.1	Ø127 x 30	
3	88.9	Ø139 x 30	
4	101.6	Ø152 x 30	
5	114.3	Ø165 x 30	
6	127	Ø177 x 30	
7	139.7	Ø190 x 30	
8	152.4	Ø205 x 30	
9	159	Ø210 x 30	
10	165.1	Ø220 x 30	
11	168.2	Ø220 x 30	
12	193.7	Ø245 x 30	
13	219.1	Ø270 x 30	



"Special Types and Dimensions on Request"

"All Dimensions are in mm"