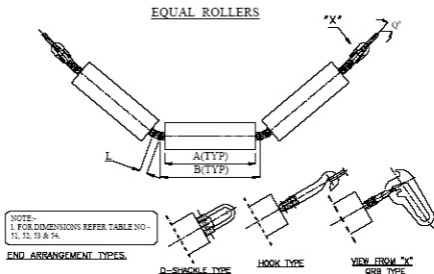


GENERAL ARRANGEMENTS OF THREE PIECE GARLAND CARRYING IDLER SET



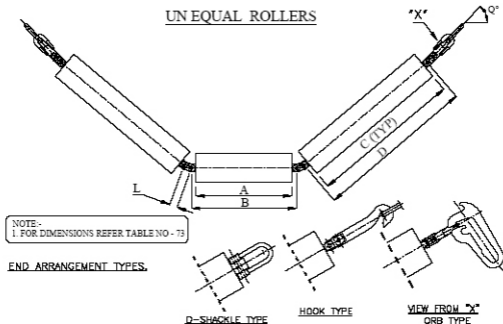
DIMENSIONS FOR THREE PIECE GARLAND CARRYING IDLER SET

TABLE - 51 (T 51)					KL - SERIES	TABLE - 53 (T 53)					KH - SERIES
FOR IDLER DIA - Ø63.5, Ø76.1 & Ø88.9					FOR IDLER DIA - Ø114.3, Ø127, Ø139.7, Ø152.4, Ø159, Ø165.1 & Ø168.3						
Q° = 5°, 10°, 15°, 20°, 25°, 30°, 35°, 40° & 45°					Q° = 5°, 10°, 15°, 20°, 25°, 30°, 35°, 40° & 45°						
SL.NO	B.W	A	B	L	SL.NO	B.W	A	B	L		
1	300	125	175	44	1	500	200	250	44		
2	400	160	210		2	650	250	300			
3	500	200	250		3	800	315	365			
4	650	250	300		4	1000	380	430			
5	800	315	365		5	1200	465	515			
					6	1400	530	580			
					7	1600	600	650			
TABLE - 52 (T 52)					KM - SERIES	TABLE - 54 (T 54)					KE - SERIES
FOR IDLER DIA - Ø88.9, Ø101.6, Ø114.3, Ø127 & Ø139.7					FOR IDLER DIA - Ø152.4, Ø159, Ø165.1, Ø168.3, Ø193.7 & Ø219.1						
Q° = 5°, 10°, 15°, 20°, 25°, 30°, 35°, 40° & 45°					Q° = 5°, 10°, 15°, 20°, 25°, 30°, 35°, 40° & 45°						
SL.NO	B.W	A	B	L	SL.NO	B.W	A	B	L		
1	400	160	210	44	1	1200	465	515	44		
2	500	200	250		2	1400	530	580			
3	650	250	300		3	1600	600	650			
4	800	315	365		4	1800	670	720			
5	1000	380	430		5	2000	740	790			
6	1200	465	515		6	2400	870	920		57 / 89	

"Special Types and Dimensions on Request"

"All Dimensions are in mm"

GENERAL ARRANGEMENTS OF THREE PIECE GARLAND CARRYING IDLER SET



DIMENSIONS FOR 3 PC UN-EQUAL GARLAND CARRYING IDLER SET

TABLE - 73 (T 73)

KH - SERIES

FOR IDLER DIA - $\varnothing 152.4, \varnothing 159, \varnothing 165.1, \varnothing 168.3, \varnothing 193.7$ & $\varnothing 219.1$

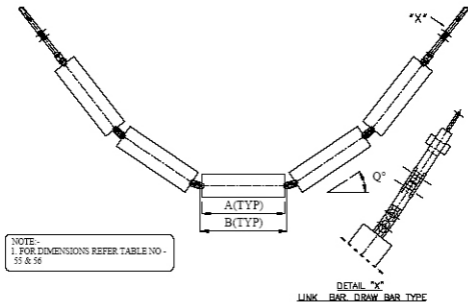
$Q^\circ = 5^\circ, 10^\circ, 15^\circ, 20^\circ, 25^\circ, 30^\circ, 35^\circ, 40^\circ$ & 45°

SL.NO	B.W	A	B	C	D	L
1	1200	370	420	515	565	44
2	1400	420	470	590	640	
3	1600	480	530	665	715	
4	1800	530	580	735	785	
5	2000	530	580	835	885	
6	2400	530	580	1000	1050	57 / 89

"Special Types and Dimensions on Request"

"All Dimensions are in mm"

GENERAL ARRANGEMENTS OF FIVE PIECE GARLAND CARRYING IDLER SET



DIMENSIONS FOR 5 PIECE GARLAND CARRYING IDLER SET				
TABLE - 55&56 (T 55&56)				KE - SERIES
FOR IDLER DIA - Ø152.4,Ø159,Ø165.1,Ø168.3,Ø193.7 & Ø219.1				
Q° = 5°,10°,15°,20°,25°,30°,35°,40° & 45°				
SL.NO	B.W	A	B	L
1	1200	280	330	44
2	1400	320	370	
3	1600	360	410	
4	1800	400	450	
5	2000	440	490	57 / 89
6	2400	520	570	

"Special Types and Dimensions on Request"

"All Dimensions are in mm"