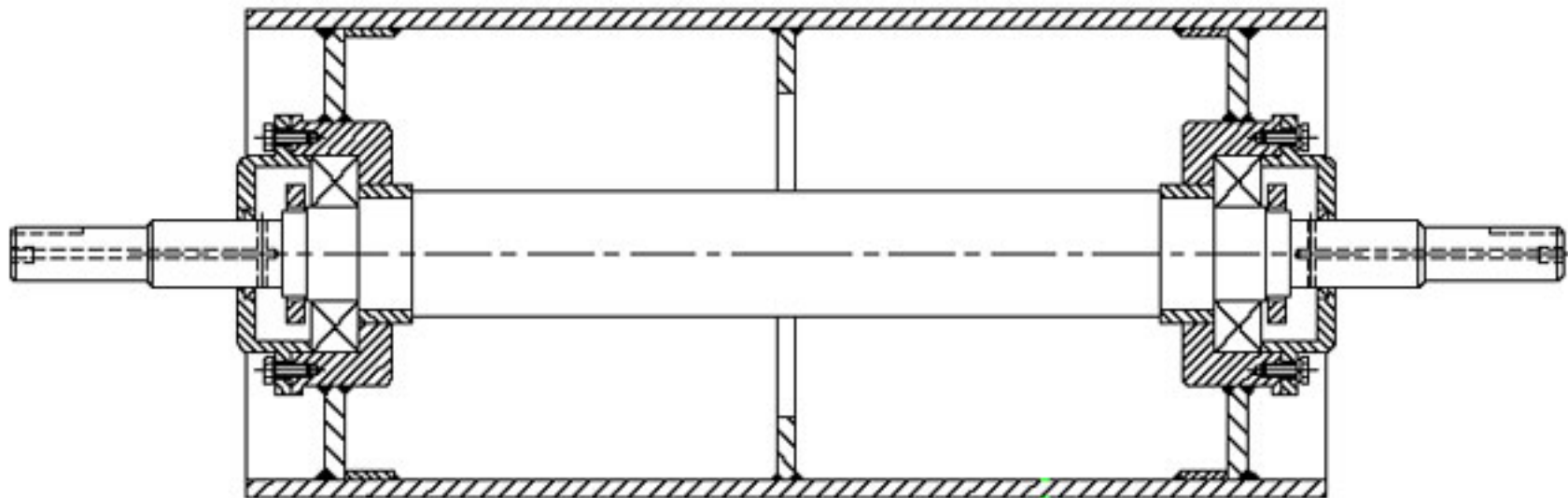


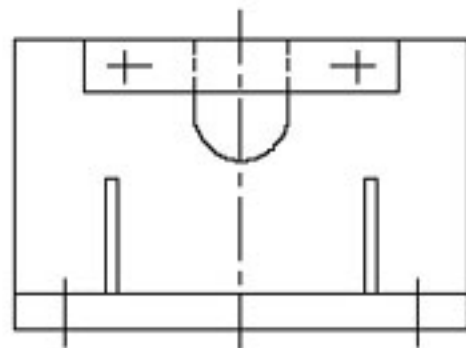
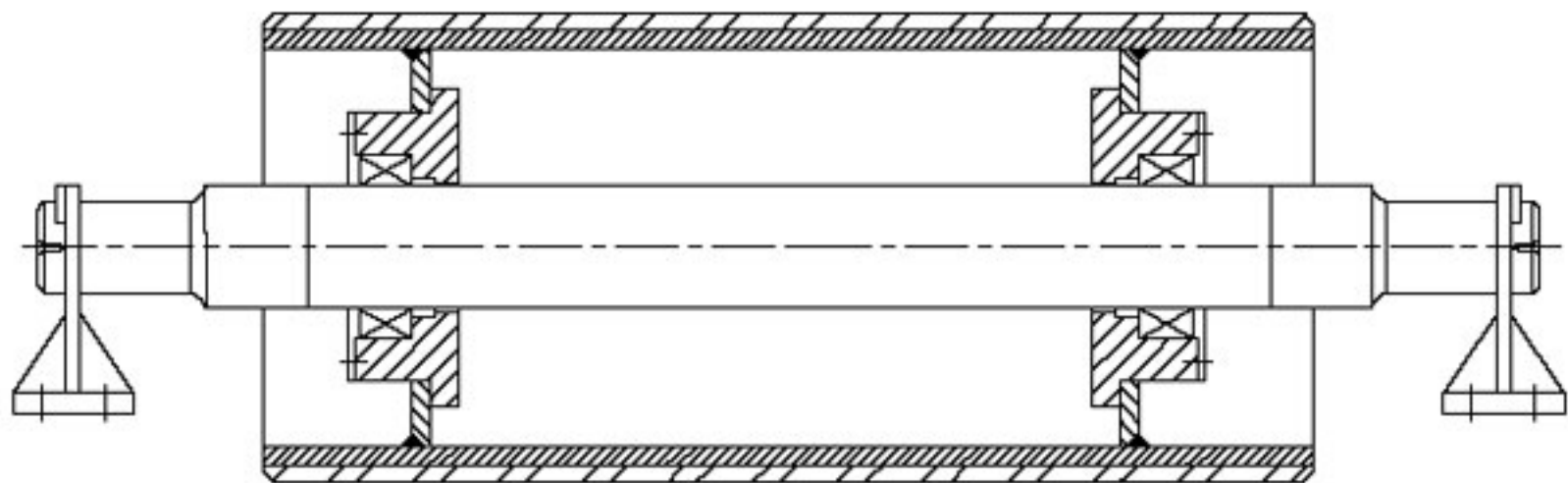
NOTE:- FOLLOWING OPTIONS ON REQUEST

1. CROWNING
2. TYPES OF GROOVING LIKE DIAMOND /
HERRINGBONE / CHEVRON GROOVING
3. LAGGING MATERIAL : NATURAL / NEOPRENE RUBBER

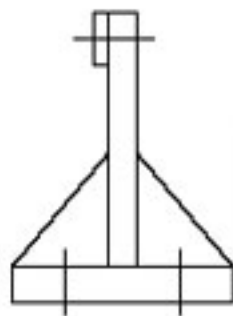


NOTE:- FOLLOWING OPTIONS ON REQUEST

1. CROWNING
2. TYPES OF GROOVING LIKE DIAMOND /
HERRINGBONE / CHEVRON GROOVING
3. LAGGING MATERIAL : NATURAL / NEOPRENE RUBBER

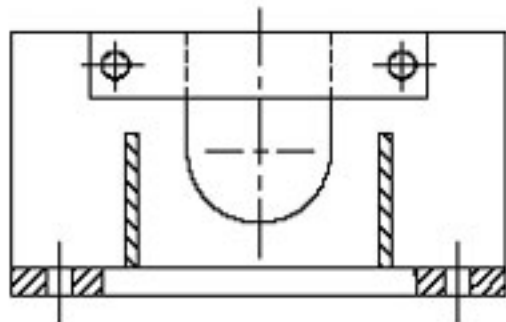
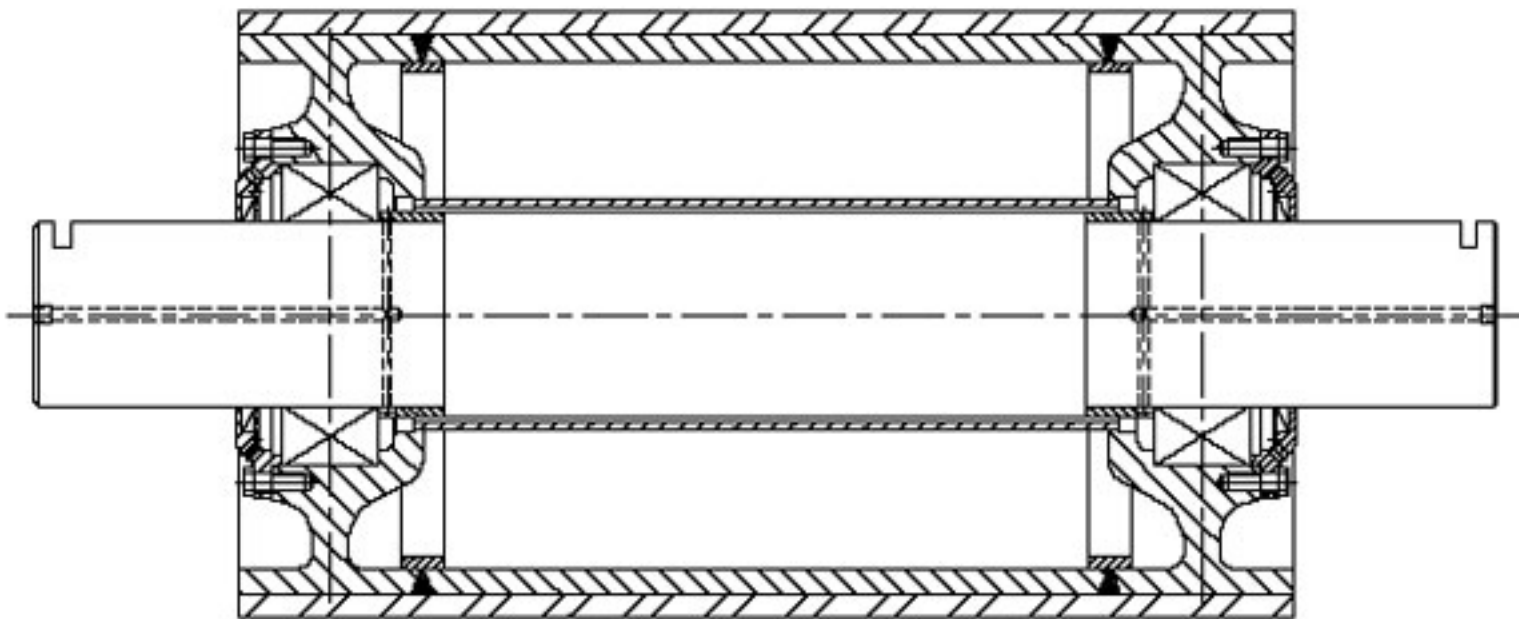


MOUNTING BRACKET DETAILS



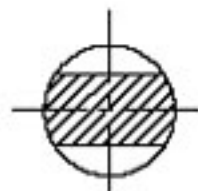
NOTE:- FOLLOWING OPTIONS ON REQUEST

1. CROWNING
2. TYPES OF GROOVING LIKE DIAMOND / HERRINGBONE / CHEVRON GROOVING
3. LAGGING MATERIAL : NATURAL / NEOPRENE RUBBER



NOTE:- FOLLOWING OPTIONS ON REQUEST

1. CROWNING
2. TYPES OF GROOVING LIKE DIAMOND / HERRINGBONE / CHEVRON GROOVING
3. LAGGING MATERIAL : NATURAL / NEOPRENE RUBBER



SECTION AT "AA"

NOTE - FOLLOWING OPTIONS ON REQUEST

1. CROWNING
2. TYPES OF GROOVING LIKE DIAMOND / HERRINGBONE / CHEVRON GROOVING
3. LAGGING MATERIAL : NATURAL / NEOPRENE RUBBER

