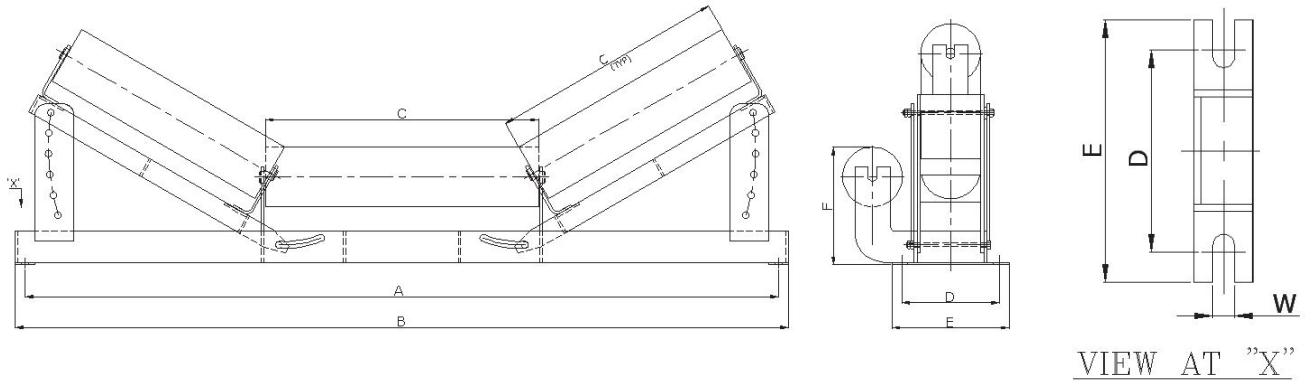


THREE PIECE STAGGERED ADJUSTABLE CARRYING TRANSITION IDLER SET



NOTE :-

1. FOR DIMENSIONS REFER TABLE NO - 45 & 46
2. ANGLE OF ADJUSTMENT - 5°, 10°, 15°, 20° & 25°

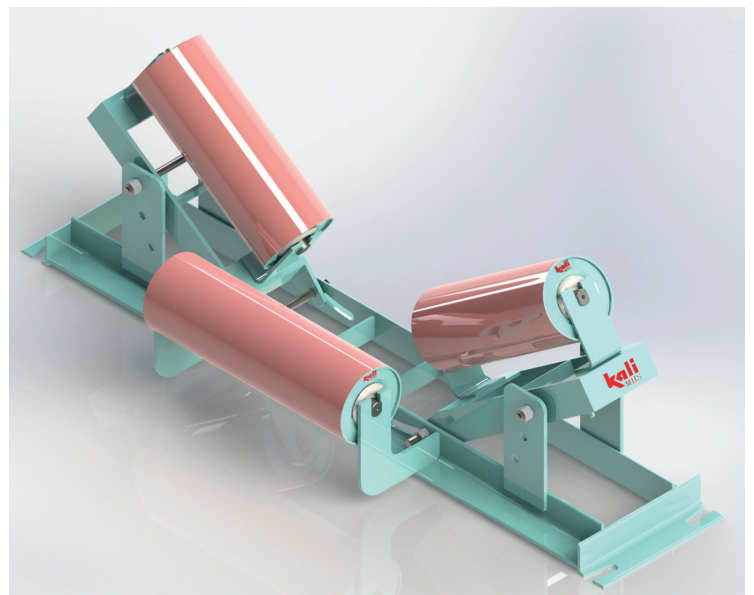


TABLE - 45 (T 45)		KH - SERIES						
FOR IDLER DIA - Ø114.3, Ø127, Ø139.7, Ø152.4, Ø159, Ø165.1 & Ø168.3								
Q° = 5°, 10°, 15°, 20° & 25°								
SL. NO	B.W	A	B	C	D	E	G	W
1	500	790	855	300	200	250	200	14
2	650	940	1000	350	200	250	250	14
3	800	1090	1150	415	200	250	315	14
4	1000	1290	1350	480	200	250	380	14
5	1200	1490	1560	565	200	250	465	18
6	1400	1690	1750	630	200	250	530	18
7	1600	1900	1950	700	250	300	600	18

F = 250 (Ø114.3) F = 300 (Ø152.4, Ø159)
 F = 275 (Ø127 & 139.7) F = 300 (Ø152.4, Ø159, Ø165.1 & Ø168.3)

TABLE - 46 (T 46)		KE - SERIES						
FOR IDLER DIA - Ø152.4, Ø159, Ø165.1, Ø168.3 & Ø193.7								
Q° = 5°, 10°, 15°, 20° & 25°								
SL. NO	B.W	A	B	C	D	E	G	W
1	1200	1490	1560	565	200	250	465	18
2	1400	1690	1750	630	200	250	530	18
3	1600	1900	1950	700	250	300	600	18
4	1800	2100	2150	770	250	300	670	22
5	2000	2300	2350	840	250	300	740	22
6	2400	2700	2750	970	250	300	870	22

F = 300 (Ø152.4 & Ø159) F = 310 (Ø165.1 & 168.3)
 F = 350 (Ø193.7)