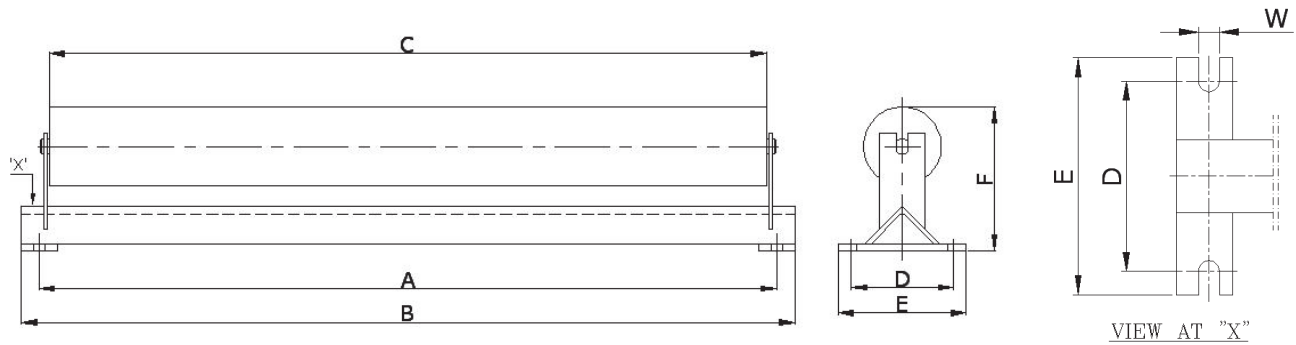


SINGLE PIECE CARRING IDLER SET



NOTE:-

1. FOR DIMENSIONS REFER TABLE NO - 1 & 2
2. FORWARD TILT 2° PROVIDED ON REQUEST

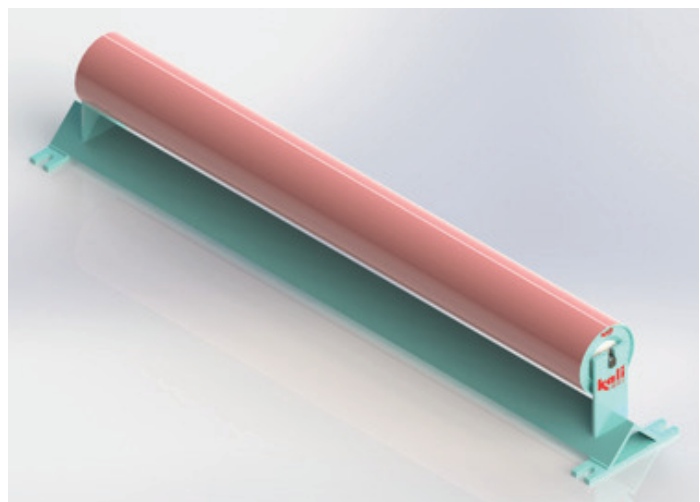


TABLE - 1 (T1)				KL - SERIES			
FOR IDLER DIA- Ø63.5, Ø76.1, Ø88.9							
SL. NO	B.W	A	B	C	D	E	W
1	300	590	655	400	200	250	14
2	400	690	755	500	200	250	14
3	500	790	855	600	200	250	14
4	650	940	1000	750	200	250	14
5	800	1090	1150	950	200	250	14

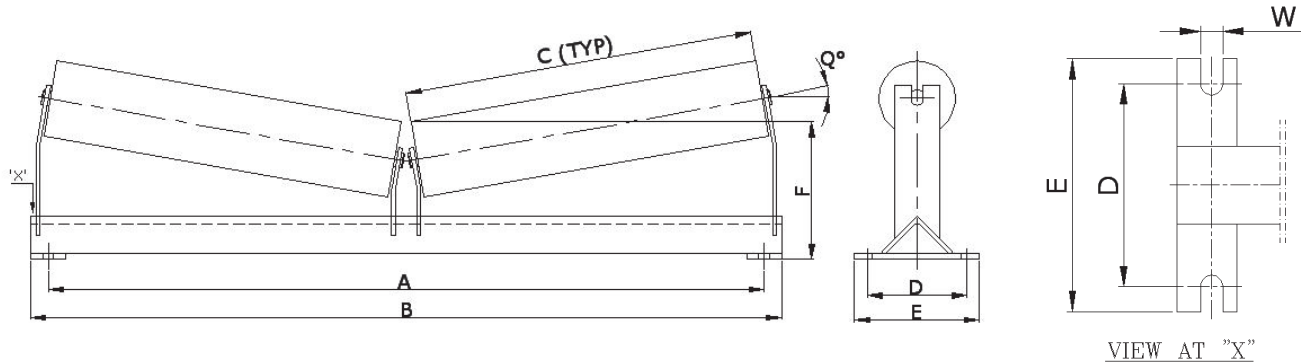
TABLE - 1 (T1)				KL - SERIES			
FOR IDLER DIA- Ø63.5, Ø76.1, Ø88.9							
SL. NO	B.W	A	B	C	D	E	W
1	400	690	755	500	200	250	14
2	500	790	855	600	200	250	14
3	650	940	1000	750	200	250	14
4	800	1090	1150	950	200	250	14
5	1000	1290	1350	1150	200	250	14
6	1200	1490	1560	1400	200	250	18

F = 175(Ø63.5 Ø76.1)
F = 200 (Ø88.9)

F = 225(Ø88.9 & Ø101.6)
F = 250(Ø114.3 & Ø127)

F = 275 (Ø139.7)

TWO PIECE CARRING IDLER SET



NOTE: -

1. FOR DIMENSIONS REFER TABLE NO - 3 & 4
2. FORWARD TILT 2° PROVIDED ON REQUEST

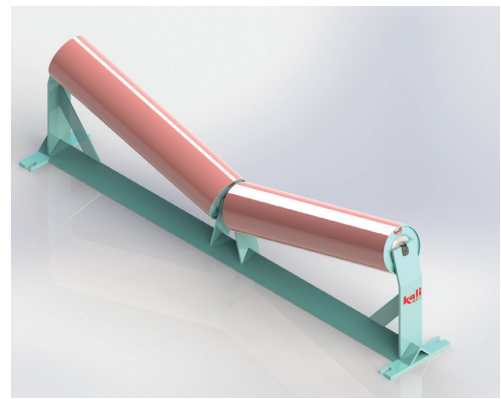


TABLE - 3 (T3)

KL - SERIES

FOR IDLER DIA- Ø63.5, Ø76.1, Ø88.9

Q° = 5°, 10°, 15° & 20°

SL.NO	B.W	A	B	C	D	E	W
1	300	590	655	190	200	250	14
2	400	690	755	240	200	250	14
3	500	790	855	290	200	250	14
4	650	940	1000	380	200	250	14
5	800	1090	1150	465	200	250	14

F = 175(Ø63.5 Ø76.1)

F = 200 (Ø88.9)

TABLE - 4 (T4)

KM - SERIES

FOR IDLER DIA- Ø88.9, Ø101.6, Ø114.3, Ø127 & Ø139.7

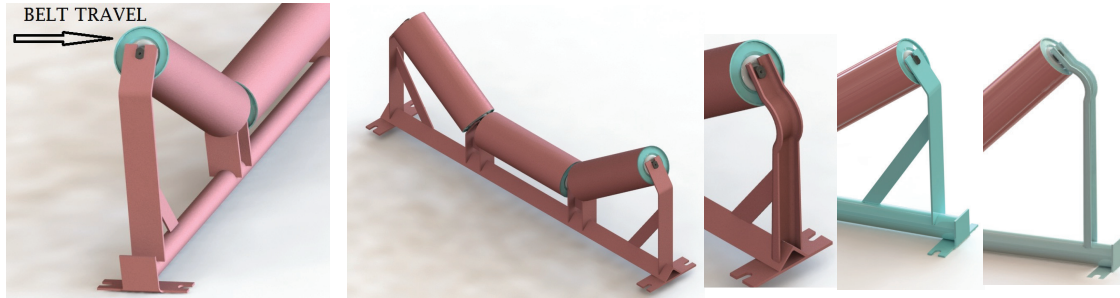
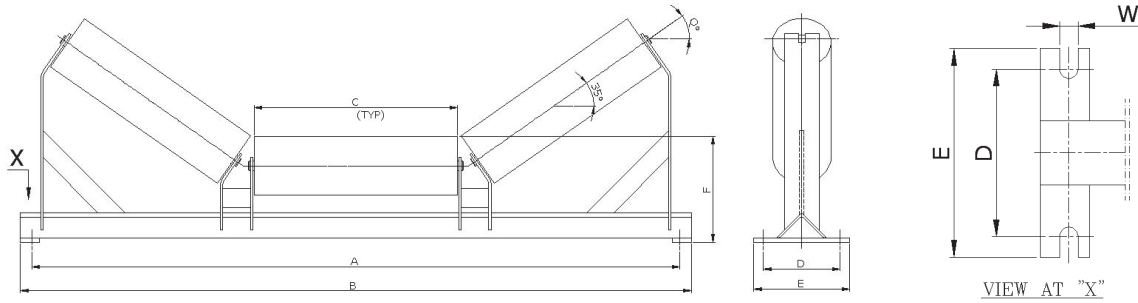
Q° = 5°, 10°, 15° & 20°

SL.NO	B.W	A	B	C	D	E	W
1	400	690	755	240	200	250	14
2	500	790	855	290	200	250	14
3	650	940	1000	380	200	250	14
4	800	1090	1150	465	200	250	14
5	1000	1290	1350	575	200	250	14
6	1200	1490	1560	700	200	250	18

F = 225(Ø88.9 & Ø101.6) F = 250(Ø114.3 & Ø127)

F = 275 (Ø139.7)

THREE PIECE CARRYING IDLER SET



NOTE: -

1. FOR DIMENSIONS REFER TABLE NO - 3 & 4
2. FORWARD TILT 2° PROVIDED ON REQUEST

TABLE - 5 (T5)		KL - SERIES					
FOR IDLER DIA- Ø63.5, Ø76.1, Ø88.9							
Q° = 5°, 10°, 15°, 20°, 25°, 30°, 35°, 40° & 45°							
SL. NO	B.W	A	B	C	D	E	W
1	300	590	655	125	200	250	14
2	400	690	755	160	200	250	14
3	500	790	855	200	200	250	14
4	650	940	1000	250	200	250	14
5	800	1090	1150	315	200	250	14

F = 175(Ø63.5 Ø76.1)

F = 200 (Ø88.9)

TABLE - 6 (T6)		KM - SERIES					
FOR IDLER DIA- Ø88.9, Ø101.6, Ø114.3, Ø127 & Ø139.7							
Q° = 5°, 10°, 15°, 20°, 25°, 30°, 35°, 40° & 45°							
SL. NO	B.W	A	B	C	D	E	W
1	400	690	755	160	200	250	14
2	500	790	855	200	200	250	14
3	650	940	1000	250	200	250	14
4	800	1090	1150	315	200	250	14
5	1000	1290	1350	380	200	250	14
6	1200	1490	1560	465	200	250	18

F = 225(Ø88.9 & Ø101.6) F = 250(Ø114.3 & Ø127)

F = 275 (Ø139.7)

TABLE - 7 (T7)		KH - SERIES					
FOR IDLER DIA- Ø114.3, Ø127, Ø139.7, Ø152.4, Ø159, Ø165.1 & Ø168.3							
Q° = 5°, 10°, 15°, 20°, 25°, 30°, 35°, 40° & 45°							
SL. NO	B.W	A	B	C	D	E	W
1	500	790	855	200	200	250	14
2	650	940	1000	250	200	250	14
3	800	1090	1150	315	200	250	14
4	1000	1290	1350	380	200	250	14
5	1200	1490	1560	465	200	250	18
6	1400	1690	1750	530	200	250	18
7	1600	1900	1950	600	200	250	18

F = 250(Ø114.3)

F = 275(Ø127)

F = 300 (Ø139.7, Ø152.4, & Ø159) F = 310 (Ø165.1 & Ø168.3)

TABLE - 8 (T8)		KE - SERIES					
OR IDLER DIA- Ø152.4, Ø159, Ø165.1, Ø168.3, Ø193.7 & Ø219.1							
Q° = 5°, 10°, 15°, 20°, 25°, 30°, 35°, 40° & 45°							
SL. NO	B.W	A	B	C	D	E	W
1	1200	1490	1560	465	200	250	18
2	1400	1690	1750	530	200	250	18
3	1600	1900	1950	600	200	250	18
4	1800	2100	2150	670	200	250	22
5	2000	2300	2350	740	200	250	22
6	2400	2700	2750	870	200	250	22

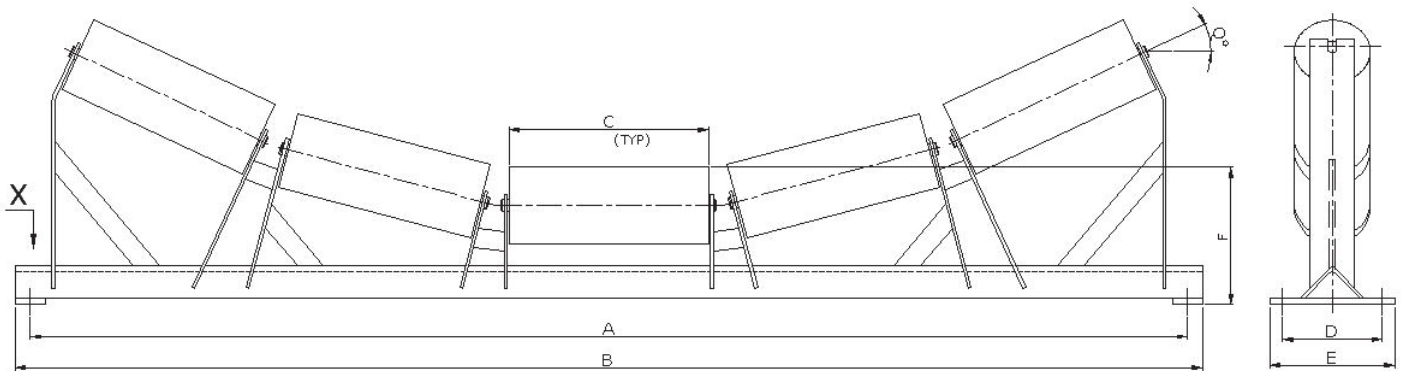
F = 330(Ø152.4 & Ø159)

F = 310(Ø165.1 & Ø168.3)

F = 350 (Ø193.7)

F = 400 (Ø219.1)

FIVE PC CARRYING IDLER SET



NOTE:-

1. FOR DIMENSIONS REFER TABLE NO - 9
2. FORWARD TILT 2° PROVIDED ON REQUEST

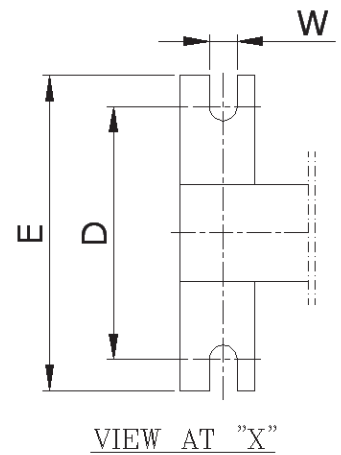


TABLE - 9 (T9)
KE - SERIES

FOR IDLER DIA- Ø152.4, Ø159, Ø165.1, Ø168.3, Ø193.7 & Ø219.1

Q° = 5°, 10°, 15°, 20°, 25°, 30°, 35°, 40° & 45°

SL.NO	B.W	A	B	C	D	E	W
1	1200	1490	1560	280	200	250	18
2	1400	1690	1750	320	200	250	18
3	1600	1900	1950	360	200	250	18
4	1800	2100	2150	400	200	250	22
5	2000	2300	2350	440	200	250	22
6	2400	2700	2750	520	200	250	22

F = 330 (Ø152.4 & Ø159)

F = 310 (Ø165.1 & Ø168.3)

F = 350 (Ø193.7)

F = 400 (Ø219.1)