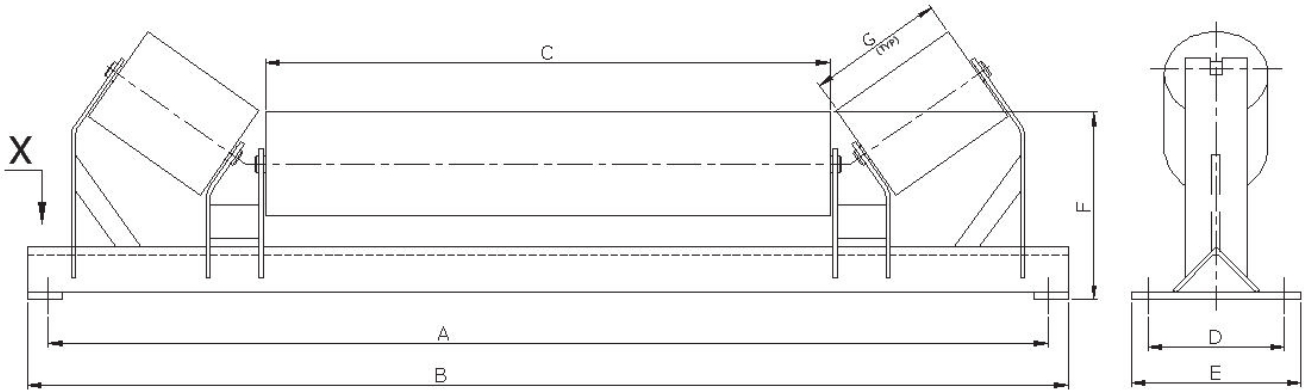


# THREE PC PICKING IDLER SET



NOTE :-

1. FOR DIMENSIONS REFER TABLE NO - 65
2. FORWARD TILT 2° PROVIDED ON REQUEST

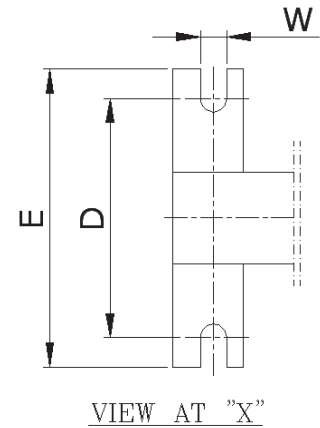


TABLE - 65 (T 65)								KH - SERIES
FOR IDLER DIA - Ø114.3, Ø127, Ø139.7, Ø152.4, Ø159, Ø165.1 & Ø168.3								
Q° = 5°, 10°, 15°, 20° & 25°								
SL.NO	B.W	A	B~	C	D	E	G	ØW
1	500	790	855	300	200	250	150	14
2	650	940	1000	450	200	250	150	14
3	800	1090	1150	550	200	250	200	14
4	1000	1290	1350	750	200	250	200	14
5	1200	1490	1560	900	200	250	250	18
6	1400	1690	1750	1100	200	250	250	18
7	1600	1900	1950	1300	200	250	250	18

F = 250 (Ø114.3)  
F = 275 (Ø127)

F = 300 (Ø139.7, Ø152.4 & Ø159)  
F = 310 (Ø165.1 & Ø168.3)