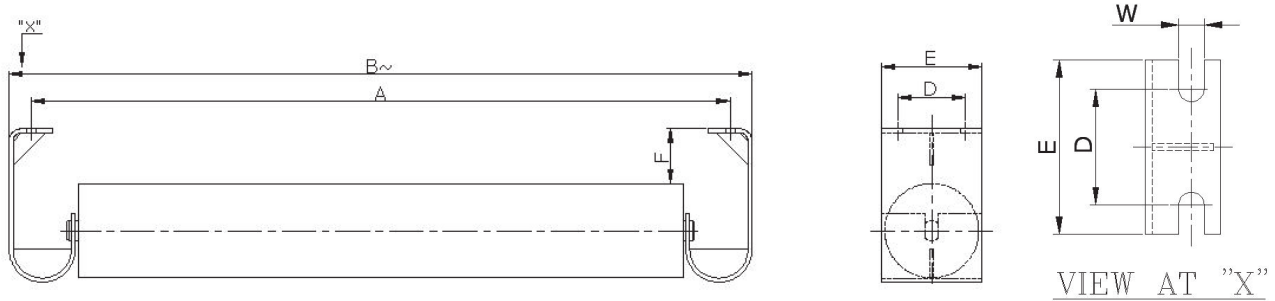


SINGLE PIECE RETURN IDLER SET



NOTE: -
1. FOR DIMENSIONS REFER TABLE NO - 10, 11, 12 & 13

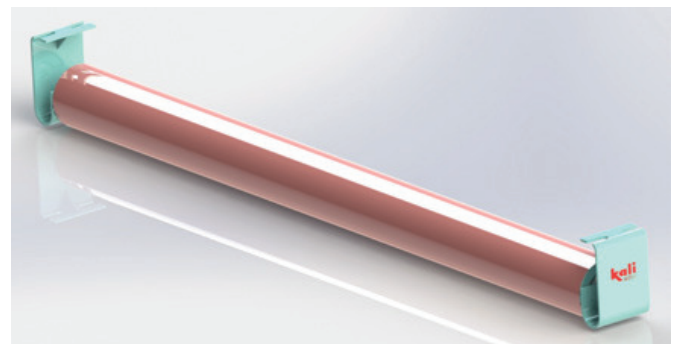


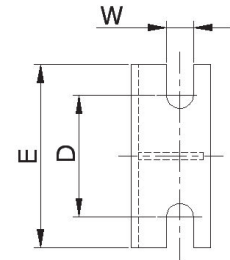
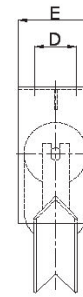
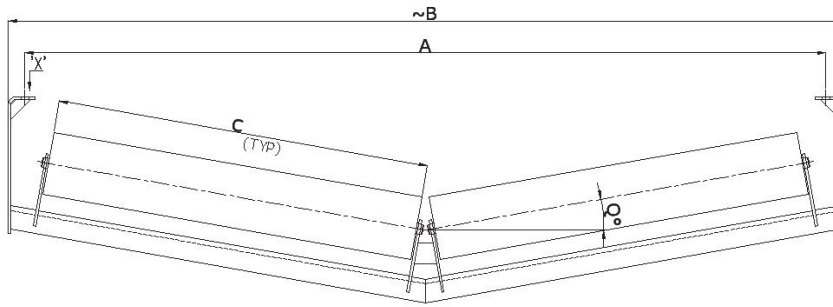
TABLE - 10 (T10)		KL - SERIES						
FOR IDLER DIA- Ø63.5, Ø76.1, Ø88.9								
SL. NO	B.W	A	B~	C	D	E	F	W
1	300	590	655	400	65	150	75	14
2	400	690	755	500	65	150	75	14
3	500	790	855	600	65	150	75	14
4	650	940	1000	750	65	150	75	14
5	800	1090	1150	950	65	150	75	14

TABLE - 12 (T12)		KH - SERIES						
FOR IDLER DIA- Ø114.3, Ø127, Ø139.7, Ø152.4, Ø159, Ø165.1 & Ø168.3								
SL. NO	B.W	A	B	C	D	E	F	W
1	500	790	855	600	65	150	75	14
2	650	940	1000	750	65	150	75	14
3	800	1090	1150	950	65	150	75	14
4	1000	1290	1350	1150	65	150	75	14
5	1200	1490	1560	1400	65	150	75	18
6	1400	1690	1750	1600	65	150	75	18
7	1600	1900	1950	1800	65	150	75	18

TABLE - 11 (T11)		KM - SERIES						
FOR IDLER DIA- Ø88.9, Ø101.6, Ø114.3, Ø127 & Ø139.7								
SL. NO	B.W	A	B	C	D	E	F	W
1	400	690	755	500	65	150	75	14
2	500	790	855	600	65	150	75	14
3	650	940	1000	750	65	150	75	14
4	800	1090	1150	950	65	150	75	14
5	1000	1290	1350	1150	65	150	75	14
6	1200	1490	1560	1400	65	150	75	18

TABLE - 13 (T13)		KE - SERIES						
FOR IDLER DIA- Ø152.4, Ø159, Ø165.1 & Ø168.3								
SL. NO	B.W	A	B	C	D	E	F	W
1	1200	1490	1560	1400	65	150	75	18
2	1400	1690	1750	1600	65	150	75	18
3	1600	1900	1950	1800	65	150	75	18
4	1800	2100	2150	2000	65	150	75	22
5	2000	2300	2350	2200	65	150	75	22

TWO PC "V" RETURN IDLER SET



VIEW AT "X"

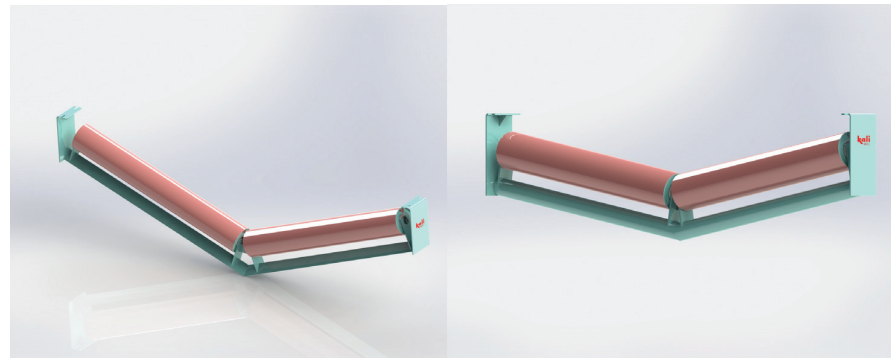


TABLE - 14 (T14)		KL - SERIES						
FOR IDLER DIA- Ø60.3, Ø76.1, Ø88.9								
Q° = 0°, 10°, 15° & 20°								
SL. NO	B.W	A	B~	C	D	E	F	W
1	300	590	655	190	100	180	75	14
2	400	690	755	240	100	180	75	14
3	500	790	855	290	100	180	75	14
4	650	940	1000	380	100	180	75	14
5	800	1090	1150	465	100	180	75	14

TABLE - 16 (16)		KH - SERIES						
FOR IDLER DIA- Ø114.3, Ø127, Ø139.7, Ø152.4, Ø159, Ø165.1 & Ø168.3								
Q° = 0°, 10°, 15° & 20°								
SL. NO	B.W	A	B~	C	D	E	F	W
1	500	790	855	290	100	180	75	14
2	650	940	1000	380	100	180	75	14
3	800	1090	1150	465	100	180	75	14
4	1000	1290	1350	575	100	180	75	14
5	1200	1490	1560	700	100	180	75	18
6	1400	1690	1750	800	100	180	75	18
7	1600	1900	1950	900	100	180	75	18

TABLE - 15 (T15)		KM - SERIES						
FOR IDLER DIA- Ø88.9, Ø101.6, Ø114.3, Ø127 & Ø139.7								
Q° = 0°, 10°, 15° & 20°								
SL. NO	B.W	A	B~	C	D	E	F	W
1	400	690	755	240	100	180	75	14
2	500	790	855	290	100	180	75	14
3	650	940	1000	380	100	180	75	14
4	800	1090	1150	465	100	180	75	14
5	1000	1290	1350	575	100	180	75	14
6	1200	1490	1560	700	100	180	75	18

TABLE - 17 (T17)		KE - SERIES						
FOR IDLER DIA- Ø152.4, Ø159, Ø165.1, Ø168.3, Ø193.7 & Ø219.1								
Q° = 0°, 10°, 15° & 20°								
SL. NO	B.W	A	B~	C	D	E	F	W
1	1200	1490	1560	700	100	180	75	18
2	1400	1690	1750	800	100	180	75	18
3	1600	1900	1950	900	100	180	75	18
4	1800	2100	2150	1000	100	180	75	22
5	2000	2300	2350	1100	100	180	75	22