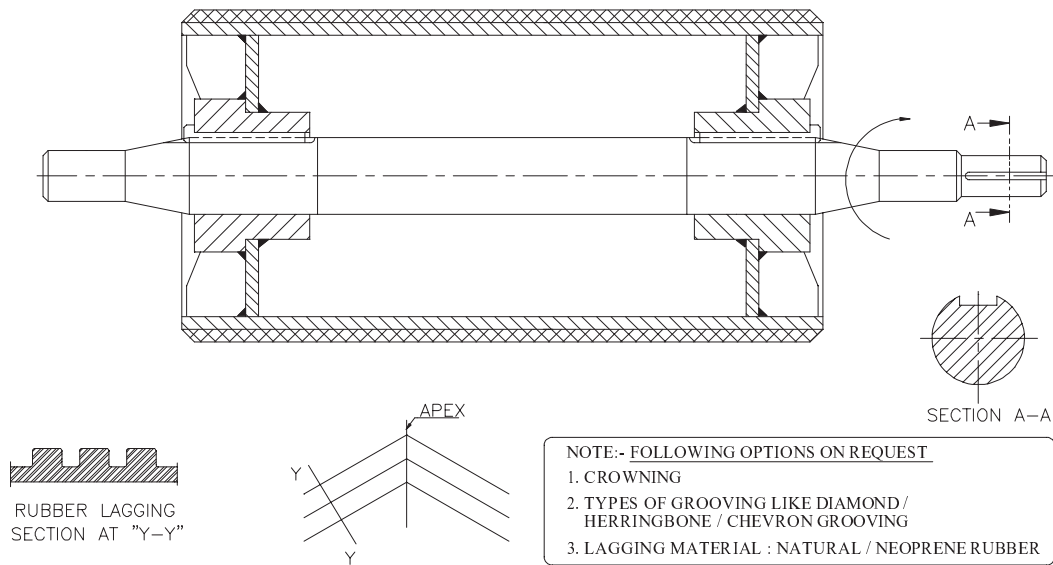
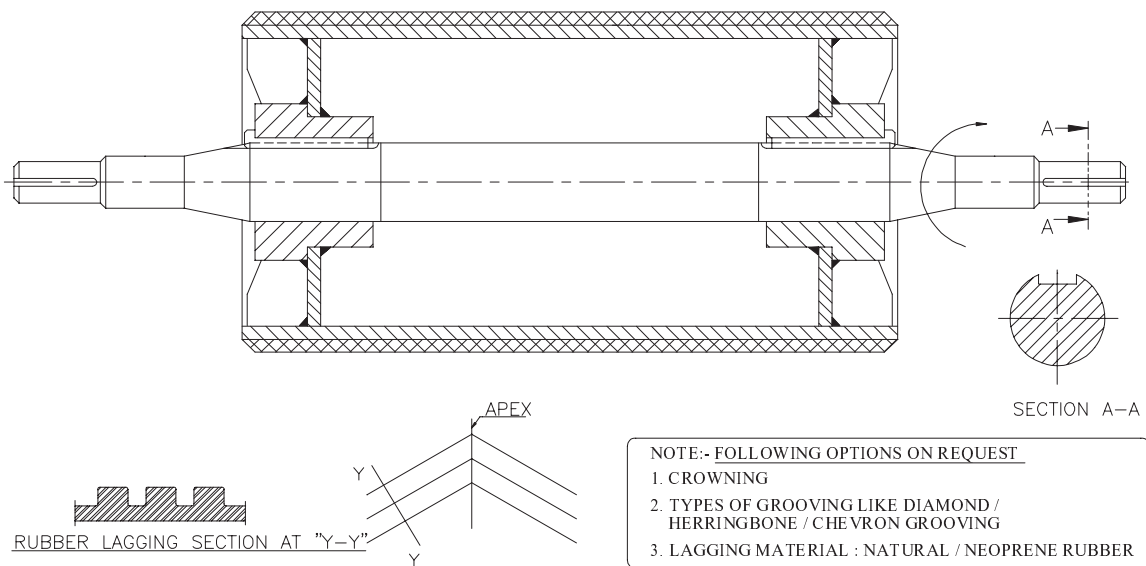


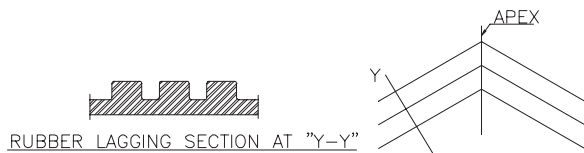
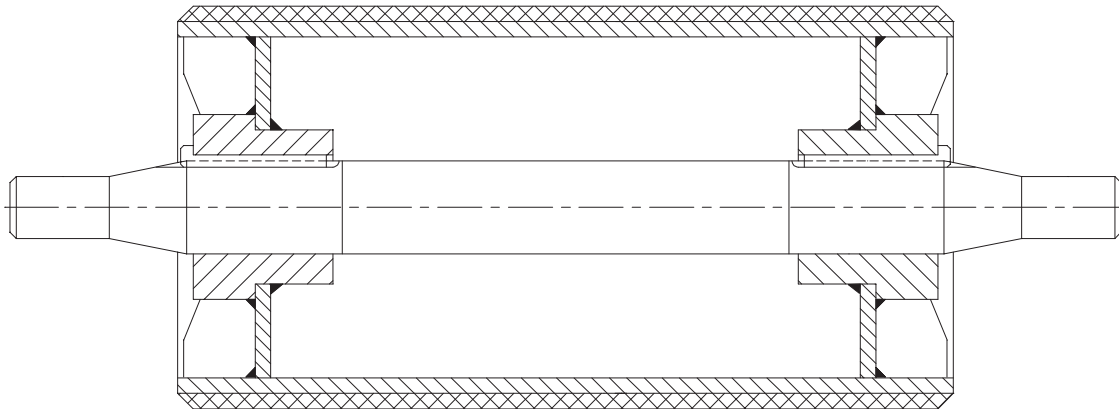
(A) GENERAL ARRANGEMENTS OF SINGLE END DRIVE PULLEY



(B) GENERAL ARRANGEMENTS OF DOUBLE END DRIVE PULLEY



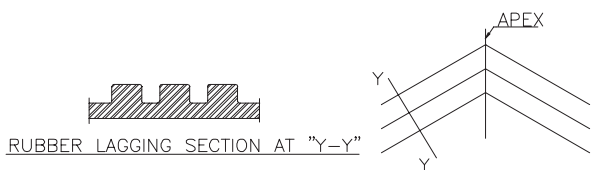
(C) GENERAL ARRANGEMENTS OF NON DRIVE PULLEY



NOTE:- FOLLOWING OPTIONS ON REQUEST

1. CROWNING
2. TYPES OF GROOVING LIKE DIAMOND / HERRINGBONE / CHEVRON GROOVING
3. LAGGING MATERIAL : NATURAL / NEOPRENE RUBBER

(D) GENERAL ARRANGEMENTS OF NON DRIVE PULLEY - BOLT ON HUB TYPE



NOTE:- FOLLOWING OPTIONS ON REQUEST

1. CROWNING
2. TYPES OF GROOVING LIKE DIAMOND / HERRINGBONE / CHEVRON GROOVING
3. LAGGING MATERIAL : NATURAL / NEOPRENE RUBBER