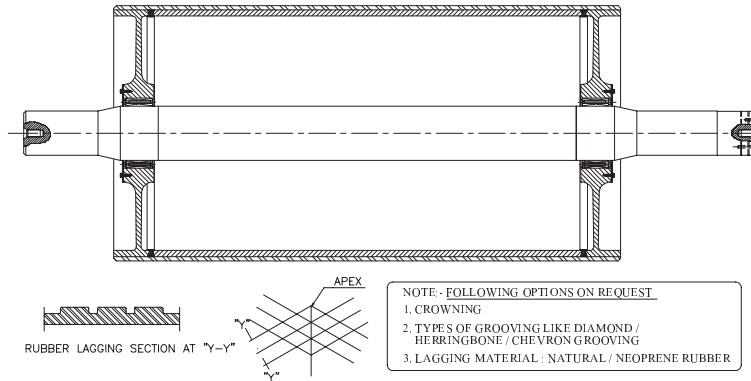
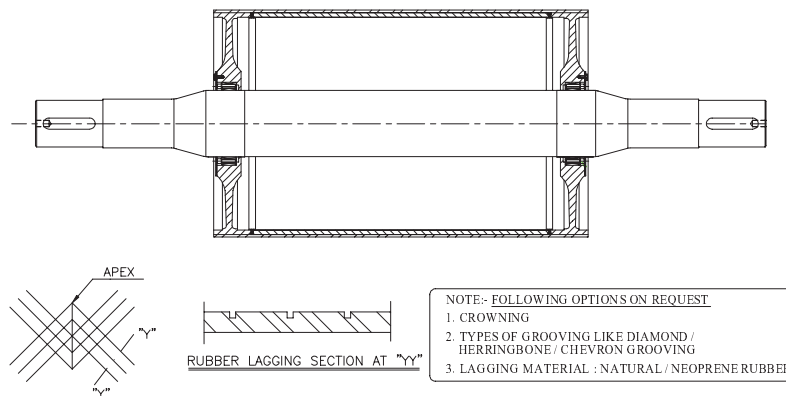


LOCKING ASSEMBLY TYPE - TURBO DIAPHRAM

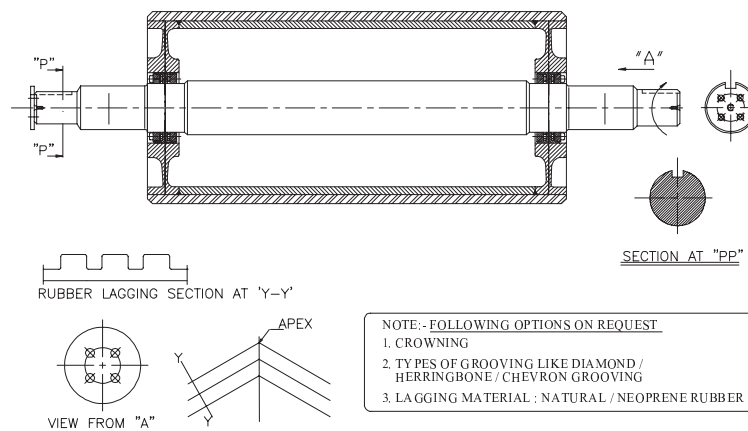
(A) GENERAL ARRANGEMENTS OF SINGLE END DRIVE PULLEY WITH TURBO DIAPHRAM



(B) GENERAL ARRANGEMENTS OF DOUBLE END DRIVE PULLEY WITH TURBO DIAPHRAM



(C) GENERAL ARRANGEMENTS OF NON DRIVE PULLEY WITH TURBO DIAPHRAM



“Special Types and Dimensions on Request”
“All Dimensions are in mm”