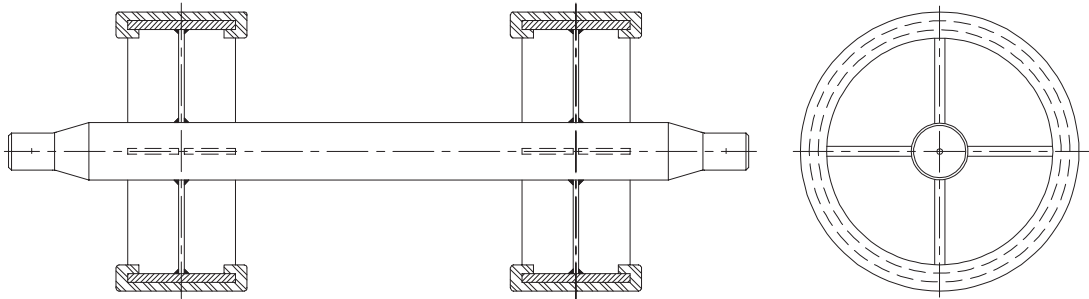


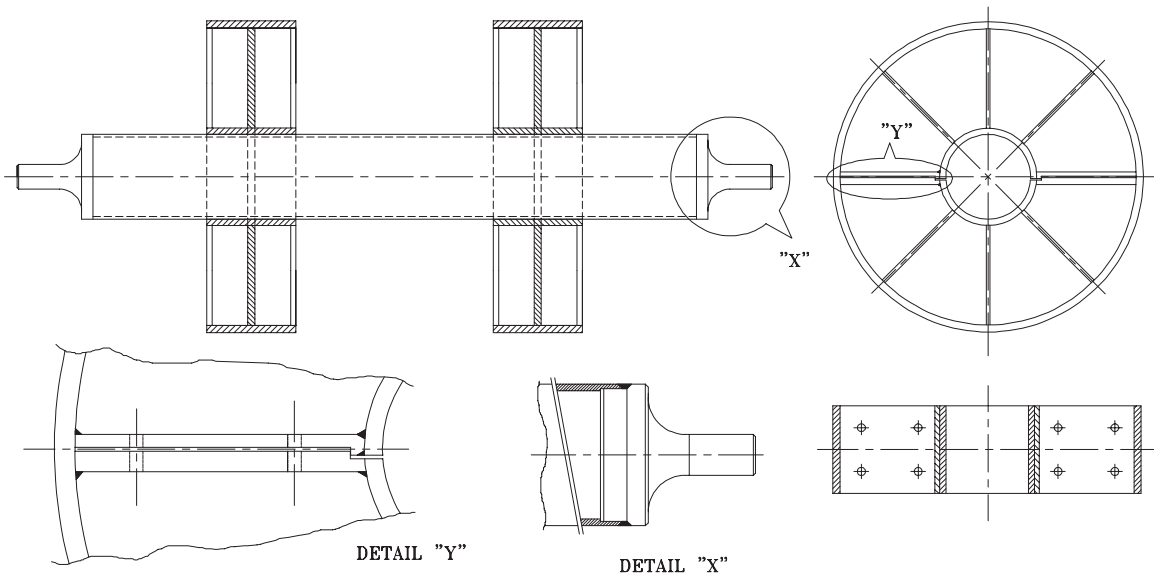
(A) GENERAL ARRANGEMENTS OF HOLD DOWN PULLEY - FIXED TYPE



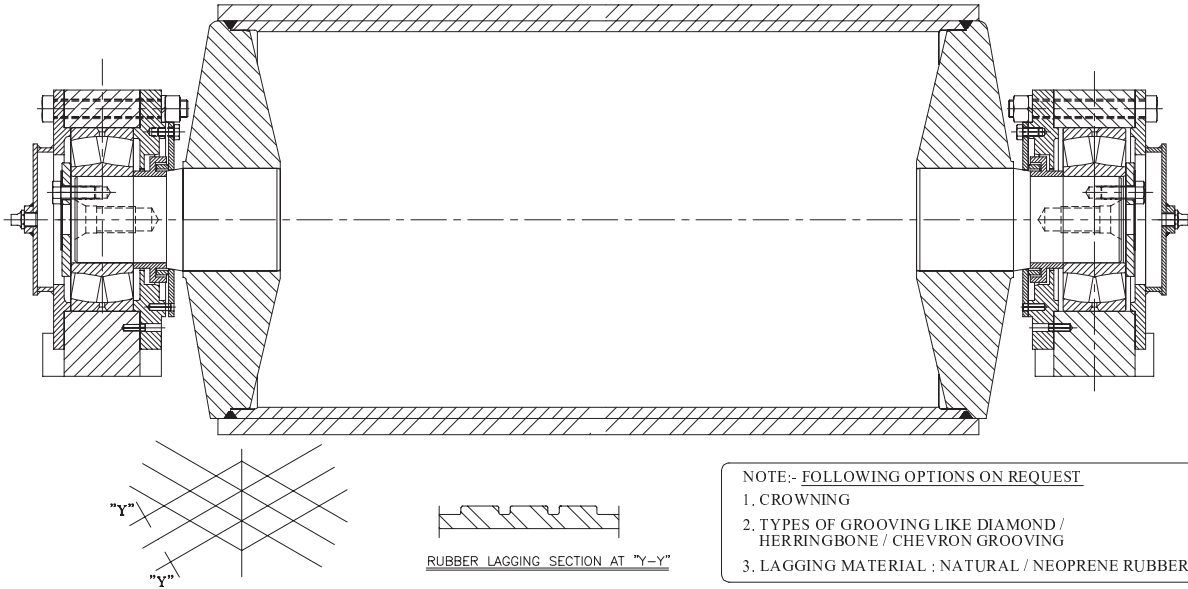
NOTE:- FOLLOWING OPTIONS ON REQUEST

1. TYPES OF GROOVING LIKE DIAMOND / HERRINGBONE / CHEVRON GROOVING
2. LAGGING MATERIAL : NATURAL / NEOPRENE RUBBER

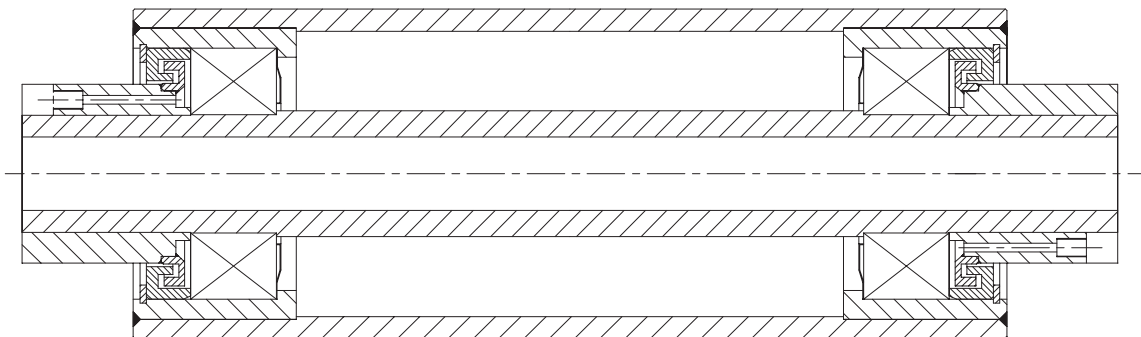
(B) GENERAL ARRANGEMENTS OF HOLD DOWN PULLEY - ADJUSTABLE TYPE



(C) GENERAL ARRANGEMENTS OF NON DRIVE PULLEY - END DISC TYPE



(D) GENERAL ARRANGEMENTS OF NON DRIVE PULLEY - THROUGH BORE TYPE



NOTE:- FOLLOWING OPTIONS ON REQUEST

1. CROWNING
2. TYPES OF GROOVING LIKE DIAMOND / HERRINGBONE / CHEVRON GROOVING
3. LAGGING MATERIAL : NATURAL / NEOPRENE RUBBER