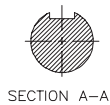
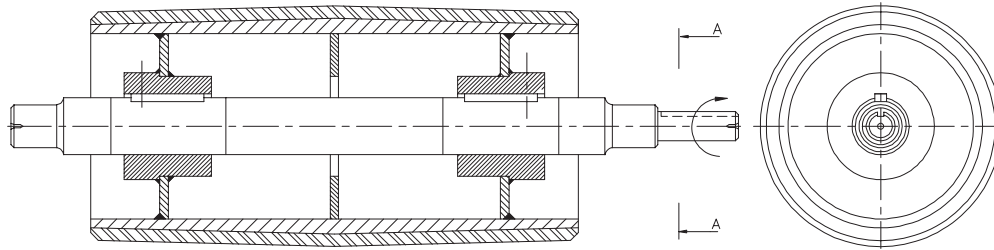
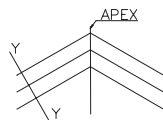


# PARALLEL KEY TYPE

## (A) GENERAL ARRANGEMENTS OF SINGLE END DRIVE PULLEY WITH CENTER PLATES



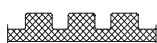
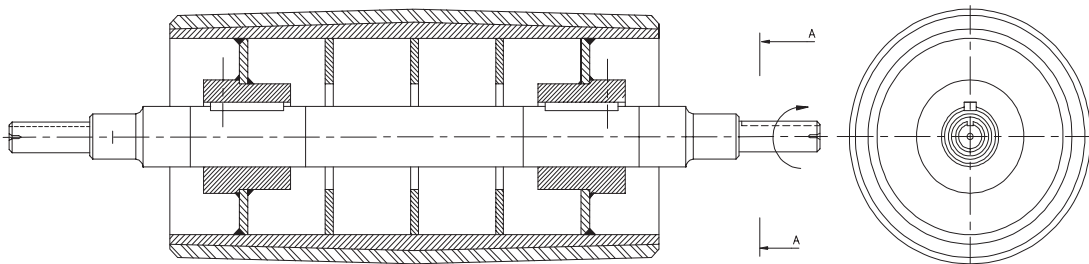
RUBBER LAGGING SECTION AT 'Y-Y'



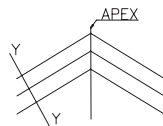
NOTE:- FOLLOWING OPTIONS ON REQUEST

1. CROWNING
2. TYPES OF GROOVING LIKE DIAMOND / HERRINGBONE / CHEVRON GROOVING
3. LAGGING MATERIAL : NATURAL / NEOPRENE RUBBER

## (B) GENERAL ARRANGEMENTS OF DOUBLE END DRIVE PULLEY WITH CENTER PLATES



SECTION A-A RUBBER LAGGING SECTION AT 'Y-Y'



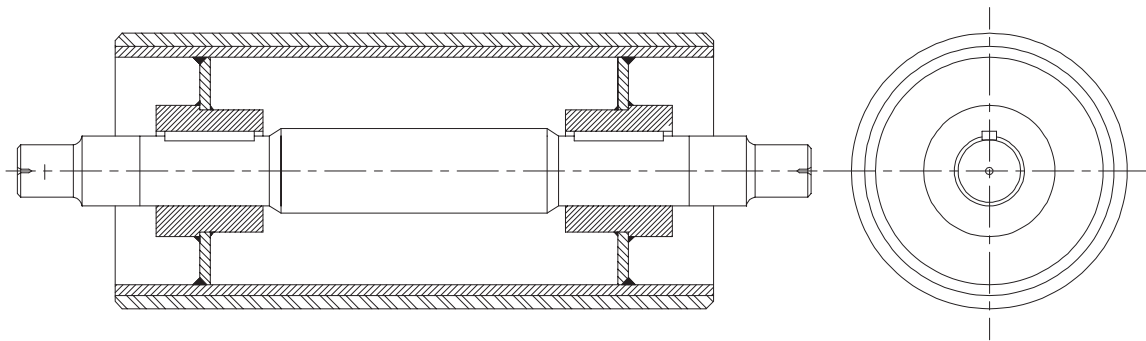
NOTE:- FOLLOWING OPTIONS ON REQUEST

1. CROWNING
2. TYPES OF GROOVING LIKE DIAMOND / HERRINGBONE / CHEVRON GROOVING
3. LAGGING MATERIAL : NATURAL / NEOPRENE RUBBER

“Special Types and Dimensions on Request”

“All Dimensions are in mm”

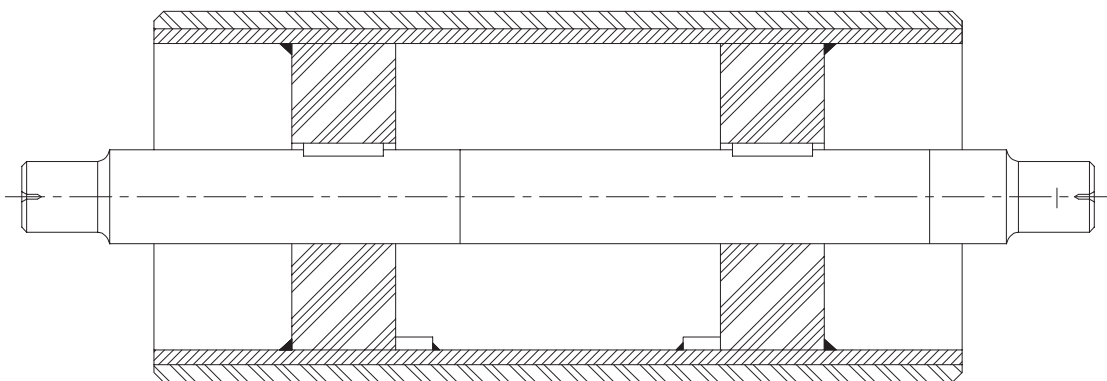
## (C) GENERAL ARRANGEMENTS OF NON DRIVE PULLEY



NOTE:- FOLLOWING OPTIONS ON REQUEST

1. CROWNING
2. TYPES OF GROOVING LIKE DIAMOND / HERRINGBONE / CHEVRON GROOVING
3. LAGGING MATERIAL : NATURAL / NEOPRENE RUBBER

## (D) GENERAL ARRANGEMENTS OF NON DRIVE PULLEY WITH STRAIGHT BORE



NOTE:- FOLLOWING OPTIONS ON REQUEST

1. CROWNING
2. TYPES OF GROOVING LIKE DIAMOND / HERRINGBONE / CHEVRON GROOVING
3. LAGGING MATERIAL : NATURAL / NEOPRENE RUBBER