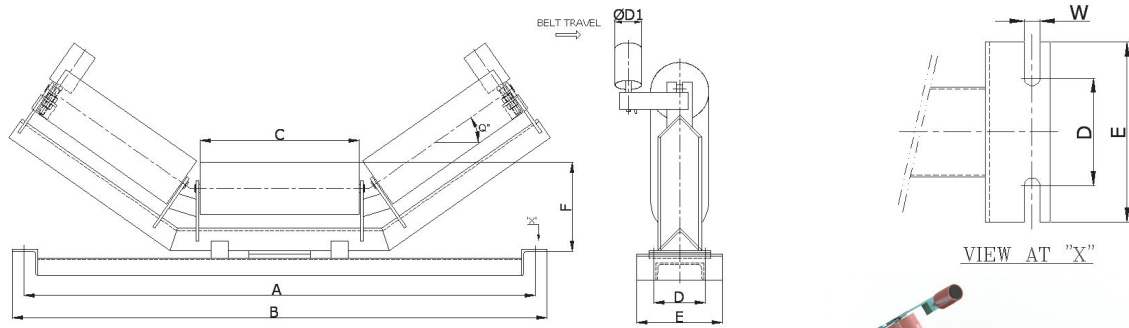


THREE PIECE S.A CARRYING IDLER SET



NOTE :-

1. FOR DIMENSIONS REFER TABLE NO - 28, 29, 30 & 31
2. FOR GUIDE ROLLERS DETAILS REFER TABLE NO - 32
3. FOR THRUST UNIT DETAILS REFER TABLE NO - 33

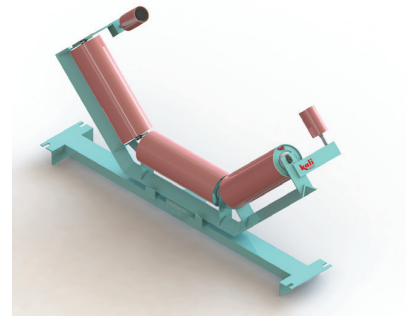


TABLE - 28 (T 28) KL - SERIES							
FOR IDLER DIA - Ø63.5, Ø76.1 & Ø88.9							
Q° = 5°, 10°, 15°, 20°, 25°, 30°, 35°, 40° & 45°							
SL. NO	B.W	A	B	C	D	E	W
1	300	590	655	125	200	250	14
2	400	690	755	160	200	250	14
3	500	790	855	200	200	250	14
4	650	940	1000	250	200	250	14
5	800	1090	1050	315	200	250	14

F = 175 (Ø63.5)

F = 200 (Ø76.1, Ø88.9)

TABLE - 29 (T 29) KM - SERIES							
(FOR IDLER DIA - Ø88.9, Ø101.6, Ø114.3, Ø127 & Ø139.7)							
Q° = 5°, 10°, 15°, 20°, 25°, 30°, 35°, 40° & 45°							
SL. NO	B.W	A	B	C	D	E	W
1	400	690	755	160	200	250	14
2	500	790	855	200	200	250	14
3	650	940	1000	250	200	250	14
4	800	1090	1150	315	200	250	14
5	1000	1290	1350	380	200	250	14
6	1200	1490	1560	465	200	250	18

F = 225 (Ø88.9)

F = 275 (Ø127 & Ø139)

F = 250 (Ø101.6 & Ø114)

TABLE - 30 (T 30) KH - SERIES							
(FOR IDLER DIA - Ø114.3, Ø127, Ø139.7, Ø152.4, Ø159, Ø165.1 & Ø168.3)							
Q° = 5°, 10°, 15°, 20°, 25°, 30°, 35°, 40° & 45°							
SL. NO	B.W	A	B	C	D	E	W
1	500	790	855	200	200	250	14
2	650	940	1000	250	200	250	14
3	800	1090	1150	315	200	250	14
4	1000	1290	1350	380	200	250	14
5	1200	1490	1560	465	200	250	18
6	1400	1690	1750	530	200	250	18
7	1600	1900	1950	600	200	250	18

F = 275 (Ø114.3 & Ø127)

F = 310 (Ø159)

F = 300 (Ø139.7 & Ø152.4)

F = 340 (Ø165.1 & 168.3)

TABLE - 31 (T 31) KE - SERIES							
(FOR IDLER DIA - Ø152.4, Ø159, Ø165.1, Ø168.3, Ø193.7 & Ø219.1)							
Q° = 5°, 10°, 15°, 20°, 25°, 30°, 35°, 40° & 45°							
SL. NO	B.W	A	B	C	D	E	W
1	1200	1490	1560	465	200	250	18
2	1400	1690	1750	530	200	250	18
3	1600	1900	1950	600	200	250	18
4	1800	2100	2150	670	200	250	22
5	2000	2300	2350	740	200	250	22
6	2400	2700	2750	870	200	250	22

F = 310 (Ø152.4)

F = 325 (Ø159, Ø165.1 & Ø168.3)

F = 350 (Ø193.7)

F = 375 (Ø219.1)