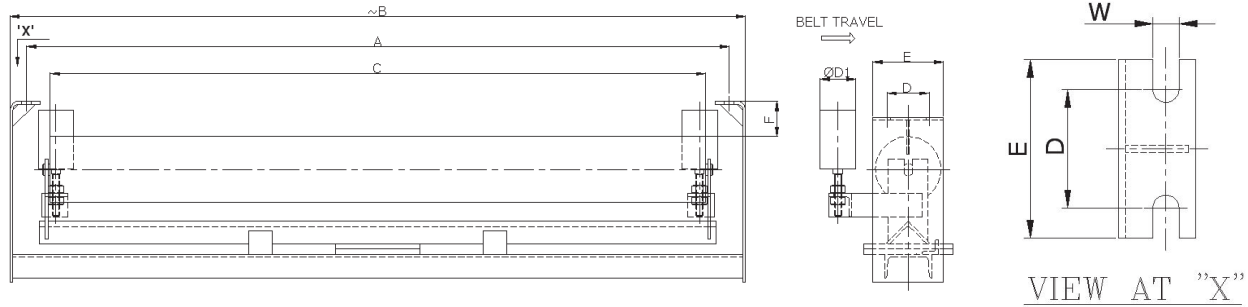


SINGLE PIECE S.A RETURN IDLER SET



NOTE :-

1. FOR DIMENSIONS REFER TABLE NO - 34, 35 & 36
2. FOR GUIDE ROLLERS DETAILS REFER TABLE NO - 32
3. FOR THRUST UNIT DETAILS REFER TABLE NO - 33

TABLE - 34 (T 34)		KL - SERIES						
FOR IDLER DIA - Ø63.5, Ø76.1 & Ø88.9								
SL. NO	B.W	A	B (~)	C	D	E	F	W
1	300	590	655	400	65	150	75	14
2	400	690	755	500	65	150	75	14
3	500	790	855	600	65	150	75	14
4	650	940	1000	750	65	150	75	14
5	800	1090	1150	950	65	150	75	14

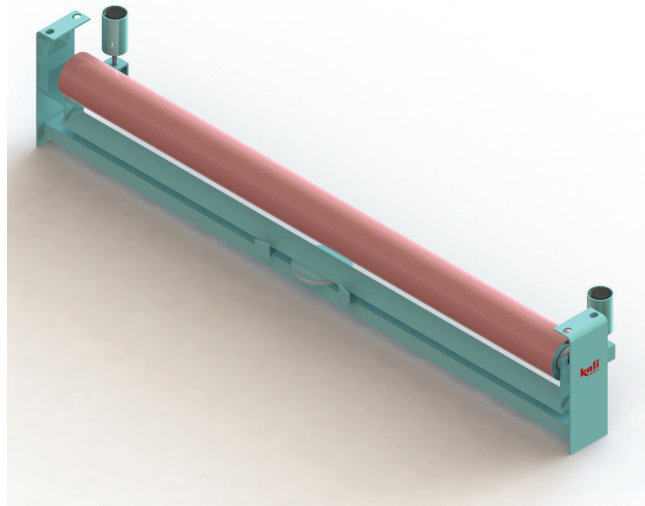
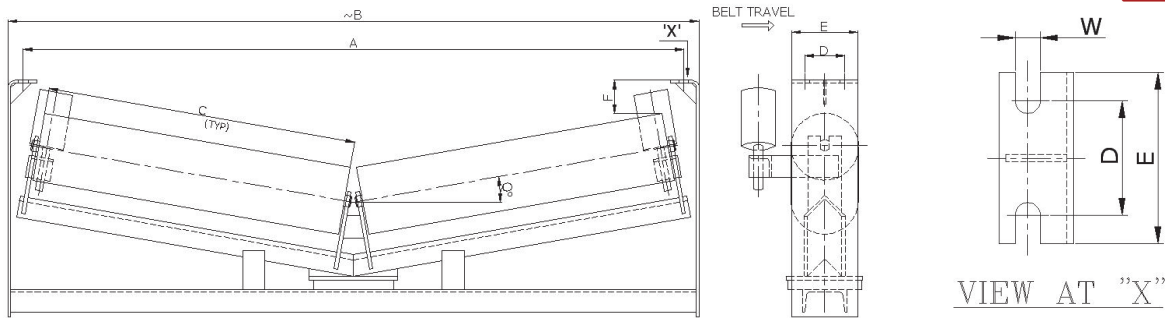


TABLE - 35 (T 35)		KM - SERIES						
(FOR IDLER DIA - Ø88.9, Ø101.6, Ø114.3, Ø127 & Ø139.7)								
SL. NO	B.W	A	B	C	D	E	F	W
1	400	690	755	500	65	150	75	14
2	500	790	855	600	65	150	75	14
3	650	940	1000	750	65	150	75	14
4	800	1090	1150	950	65	150	75	14
5	1000	1290	1350	1150	65	150	75	14
6	1200	1490	1560	1400	65	150	75	18

TABLE - 36 (T 36)		KH - SERIES						
(FOR IDLER DIA - Ø114.3, Ø127, Ø139.7, Ø152.4, Ø159, Ø165.1 & Ø168.3)								
SL. NO	B.W	A	B	C	D	E	F	W
1	500	790	855	600	65	150	75	14
2	650	940	1000	750	65	150	75	14
3	800	1090	1150	950	65	150	75	14
4	1000	1290	1350	1150	65	150	75	14
5	1200	1490	1560	1400	65	150	75	18
6	1400	1690	1750	1600	65	150	75	18
7	1600	1900	1950	1800	65	150	75	18

TWO PIECE S.A RETURN IDLER SET



NOTE :-

1. FOR DIMENSIONS REFER TABLE NO - 37, 38, 39 & 40
2. FOR GUIDE ROLLERS DETAILS REFER TABLE NO - 32
3. FOR THRUST UNIT DETAILS REFER TABLE NO - 33

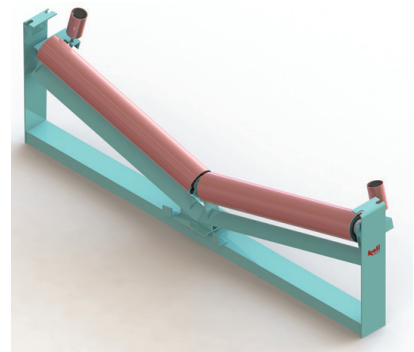


TABLE - 37 (T 37)									KL - SERIES
FOR IDLER DIA - Ø63.5, Ø76.1 & Ø88.9									
Q° = 5°, 10°, 15°, 20°, 25°, 30°, 35°, 40° & 45°									
SL. NO	B.W	A	B (-)	C	D	E	F	W	
1	300	590	655	190	65	150	75	14	
2	400	690	755	240	65	150	75	14	
3	500	790	855	290	65	150	75	14	
4	650	940	1000	380	65	150	75	14	
5	800	1090	1150	465	65	150	75	14	

TABLE - 39 (T 39)									KH - SERIES
(FOR IDLER DIA - Ø114.3, Ø127, Ø139.7, Ø152.4, Ø159, Ø165.1 & Ø168.3)									
Q° = 5°, 10°, 15°, 20°, 25°, 30°, 35°, 40° & 45°									
SL. NO	B.W	A	B	C	D	E	F	W	
1	500	790	855	290	65	150	75	14	
2	650	940	1000	380	65	150	75	14	
3	800	1090	1150	465	65	150	75	14	
4	1000	1290	1350	575	65	150	75	14	
5	1200	1490	1560	700	65	150	75	18	
6	1400	1690	1750	800	65	150	75	18	
7	1600	1900	1950	900	65	150	75	18	

TABLE - 38 (T 38)									KM - SERIES
(FOR IDLER DIA - Ø88.9, Ø101.6, Ø114.3, Ø127 & Ø139.7)									
Q° = 5°, 10°, 15°, 20°, 25°, 30°, 35°, 40° & 45°									
SL. NO	B.W	A	B	C	D	E	F	W	
1	400	690	755	240	65	150	75	14	
2	500	790	855	290	65	150	75	14	
3	650	940	1000	380	65	150	75	14	
4	800	1090	1150	465	65	150	75	14	
5	1000	1290	1350	575	65	150	75	14	
6	1200	1490	1560	700	65	150	75	18	

TABLE - 40 (T 40)									KE - SERIES
(FOR IDLER DIA - Ø152.4, Ø159, Ø165.1, Ø168.3, Ø193.7 & Ø219.1)									
Q° = 0°, 10°, 15° & 20°									
SL. NO	B.W	A	B~	C	D	E	F	W	
1	1200	1490	1560	700	100	180	75	18	
2	1400	1690	1750	800	100	180	75	18	
3	1600	1900	1950	900	100	180	75	18	
4	1800	2100	2150	1000	100	180	75	22	
5	2000	2300	2350	1100	100	180	75	22	